

# RoughDeck® SLV

Single Animal Livestock Scale



## Specifications

**Full Scale Capacity:**  
8 ft x 3 ft: 4,000 lb x 1 lb  
8 ft x 4 ft: 4,000 lb x 1 lb

**End Load Capacity:**  
125% full scale

**Outside Dimension:**  
(L x W) 8 ft x 3 ft  
(L x W) 8 ft x 4 ft

**Cable Length:**  
20 ft (6 m)

**Warranty:**  
Two-year limited (scale only)

**Approvals:**  
NTEP CC 92-001 Class III 4,000d

*Capacity not to exceed 4,000 x 1 lb and platform size not to exceed 32 sq ft.*

## Standard Features

- Mild steel construction
- Rugged diamond safety treadplate deck
- Rigid structural steel channel frame
- NEMA Type 4X stainless steel side-access junction box without quick connector
- Signal trim summing board
- Four adjustable stainless steel SUREFOOT™ support feet
- 20 ft (6 m) SURVIVOR® EL147HE hostile environment load cell cable
- Four alloy steel load cells

## APPROVALS

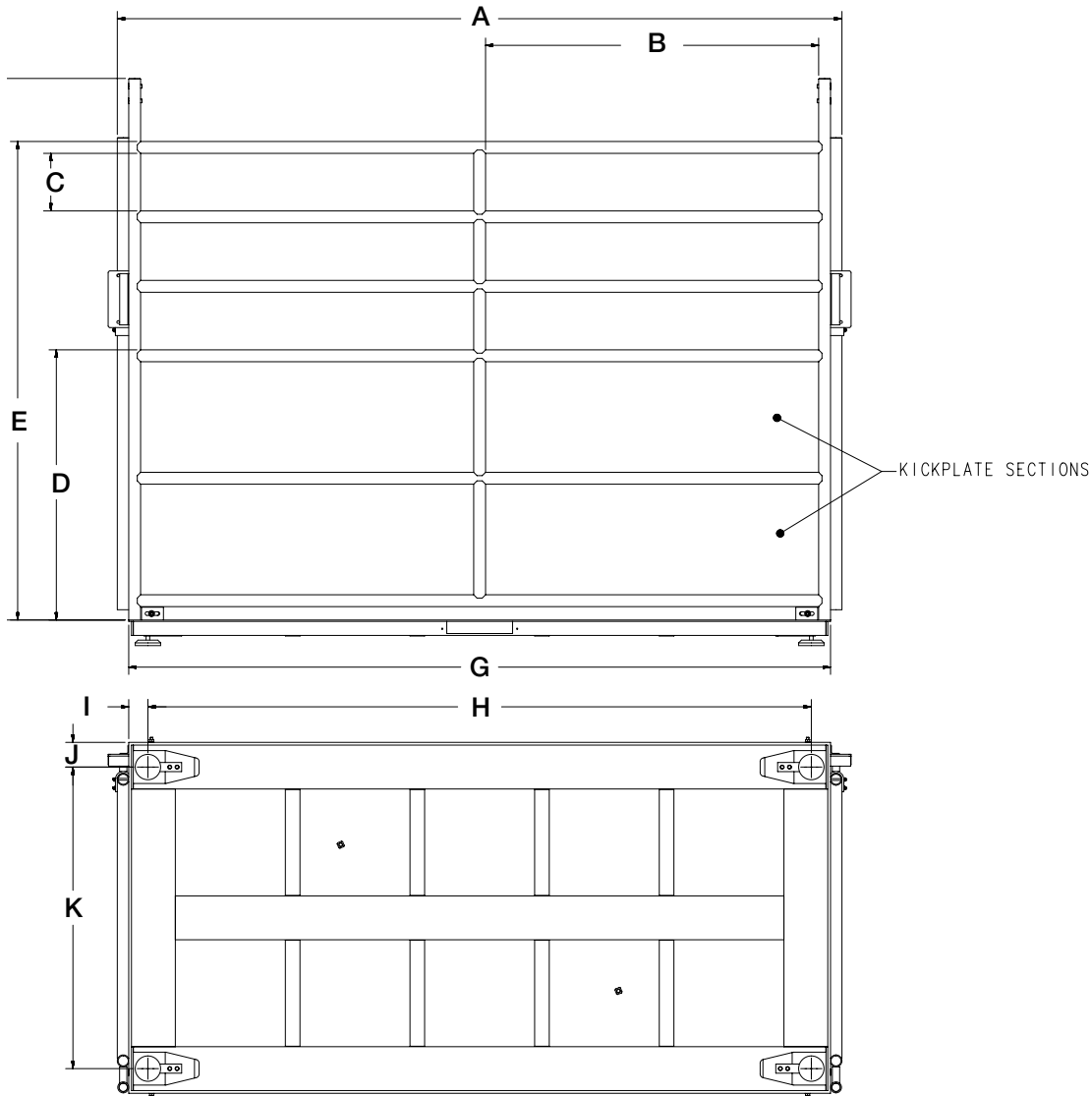


## Part Number/Price

Part #	Outside Dimensions	Capacity	Est. Weight	Price
103617	8 ft x 3 ft	4,000 lb, 20 ft without Quick Connect, modified to fit gate and rack (scale platform only)	565 lb	Consult
78452	8 ft x 3 ft	4,000 lb, 20 ft without Quick Connect (gate and rack not included) (scale platform only)	565 lb	Consult
103619	8 ft x 4 ft	4,000 lb, 20 ft without Quick Connect, modified to fit gate and rack (scale platform only)	750 lb	Consult
78453	8 ft x 4 ft	4,000 lb, 20 ft without Quick Connect (gate and rack not included) (scale platform only)	750 lb	Consult
<b>RoughDeck SLV 4,000 lb Bundle Package (Ships Assembled)</b>				
124192	8 ft x 3 ft	Includes: scale, 2 swing gates and racks, kick plates, 482 digital indicator, factory calibration	1,200 lb	Consult
160100	8 ft x 3 ft	Includes: scale, 2 sliding gates and racks, kick plates, 482 digital indicator, factory calibration	1,310 lb	Consult
124193	8 ft x 4 ft	Includes: scale, 2 swing gates and racks, kick plates, 482 digital indicator, factory calibration	1,500 lb	Consult

## Options/Accessories

Part #	Description	Price
Consult	Smooth deck instead of diamond safety tread plate	N/C
Consult	Stainless steel load cells (RL32018S IP66) and hardware	Consult list price add-on
Consult	Stainless steel hermetically sealed load cells (RL32218S-HE IP69K) and hardware	Consult list price add-on
Consult	Angle iron bolted to scale for wood deck provisions (wood to be supplied by customer)	Consult
Consult	Rubber mat	Consult
Consult	Slide gate	Consult
18777	Floor anchor plates, mild steel (set of 2)	Consult
18778	Floor anchor plates, stainless steel (set of 2)	Consult



Dimensions			
<b>3 ft x 8 ft</b>			
A	99.12 in	I	2.63 in
B	45.56 in	J	3.38 in
C	7.88 in	K	29.25 in
D	36.95 in	L	36.00 in
E	65.45 in	M	32.75 in
F	74.00 in	N	3.50 in
G	95.00 in	O	77.58 in
H	90.75 in		
<b>4 ft x 8 ft</b>			
A	99.12 in	I	2.63 in
B	45.56 in	J	3.38 in
C	7.88 in	K	41.25 in
D	36.95 in	L	48.00 in
E	65.45 in	M	44.75 in
F	74.00 in	N	3.50 in
G	95.00 in	O	77.58 in
H	90.75 in		

