

MSI-9850

Meter Assembly

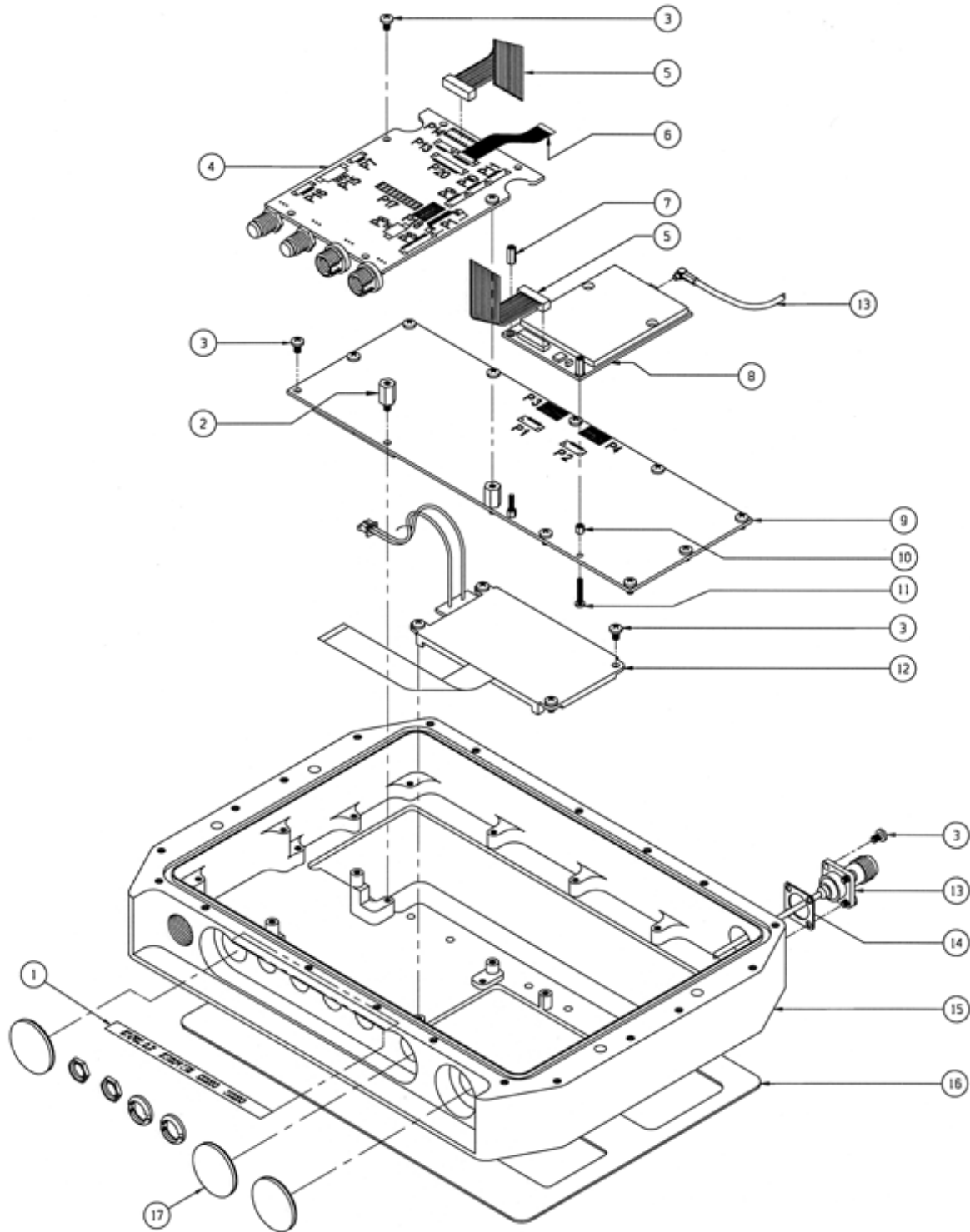


Part Number/Price

Item #	Part #	Description	Price
1	149148	Label, connector, 9850 description	Consult
2	143305	Standoff, hex, 3/8 LG, SS	Consult
3	128088	Screw, PH, 4-40 x 1/4, Phillips, SS	Consult
4	138291	PCA, ARM microcontroller, 9850 pico mount	Consult
5	144224	Cable, IDC plug	Consult
6	143227	Cable, flat flex	Consult
7	144376	Standoff, hex, 2-56 x 1/8 x .312 LG, steel	Consult
8	144158	2450 modem, RF, 2.4 GHz	Consult
9	148971	PCA, display, LED	Consult
10	144375	Standoff, hex, 2-56 x 1/8 x .125 LG, steel	Consult
11	146591	Screw, PH, 2-56 x 3/8, SS	Consult
12	138333	Assembly, display, LCD	Consult
13	149080	Cable assembly, antenna	Consult
14	143336	Gasket, flange mtg. .689 SQ	Consult
15	149045	Enclosure	Consult
16	149056	Label, keypad	Consult
17	149094	Plug, 1.00 x .063, with adhesive	Consult
—	Consult	Cover, enclosure	Consult
—	Consult	Assembly, O-ring	Consult

MSI-9850

Meter Assembly



OVERHEAD WEIGHING REPLACEMENT PARTS

www.ricelake.com | Phone: 800-472-6703

RICE LAKE

MSI-9850

Power Assembly

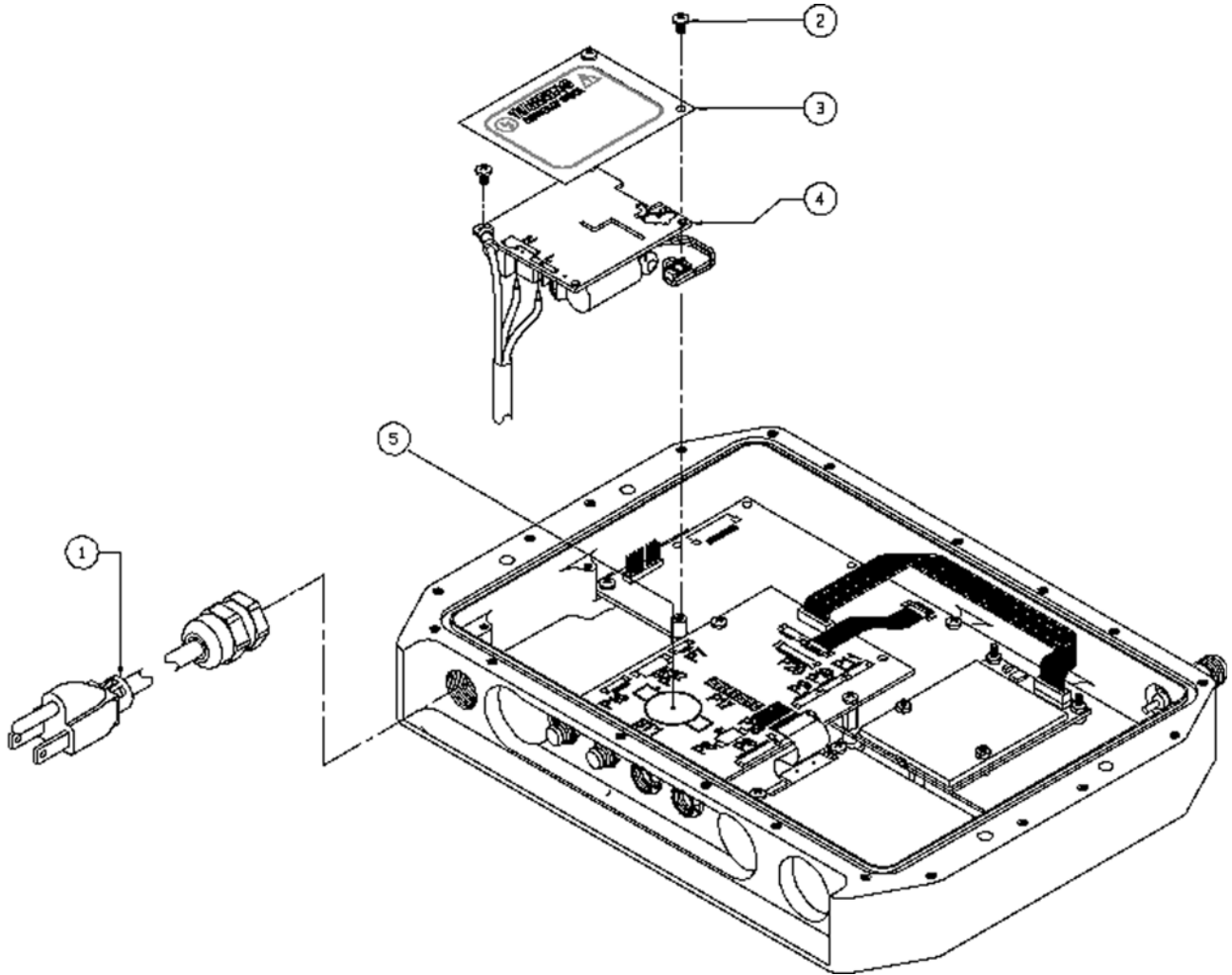


Part Number/Price

Item #	Part #	Description	Price
1	138331	Assembly, AC power cord	Consult
2	144536	Screw, PH, 4-40 x 1/4, Phillips, SS	Consult
3	138334	Label, warning	Consult
4	138332	Power supply, 85-265 VAC	Consult
5	71408	Battery, lithium	Consult

MSI-9850

Power Assembly



OVERHEAD WEIGHING REPLACEMENT PARTS

www.ricelake.com | Phone: 800-472-6703

RICE LAKE