

MSI-9750A

Front Assembly

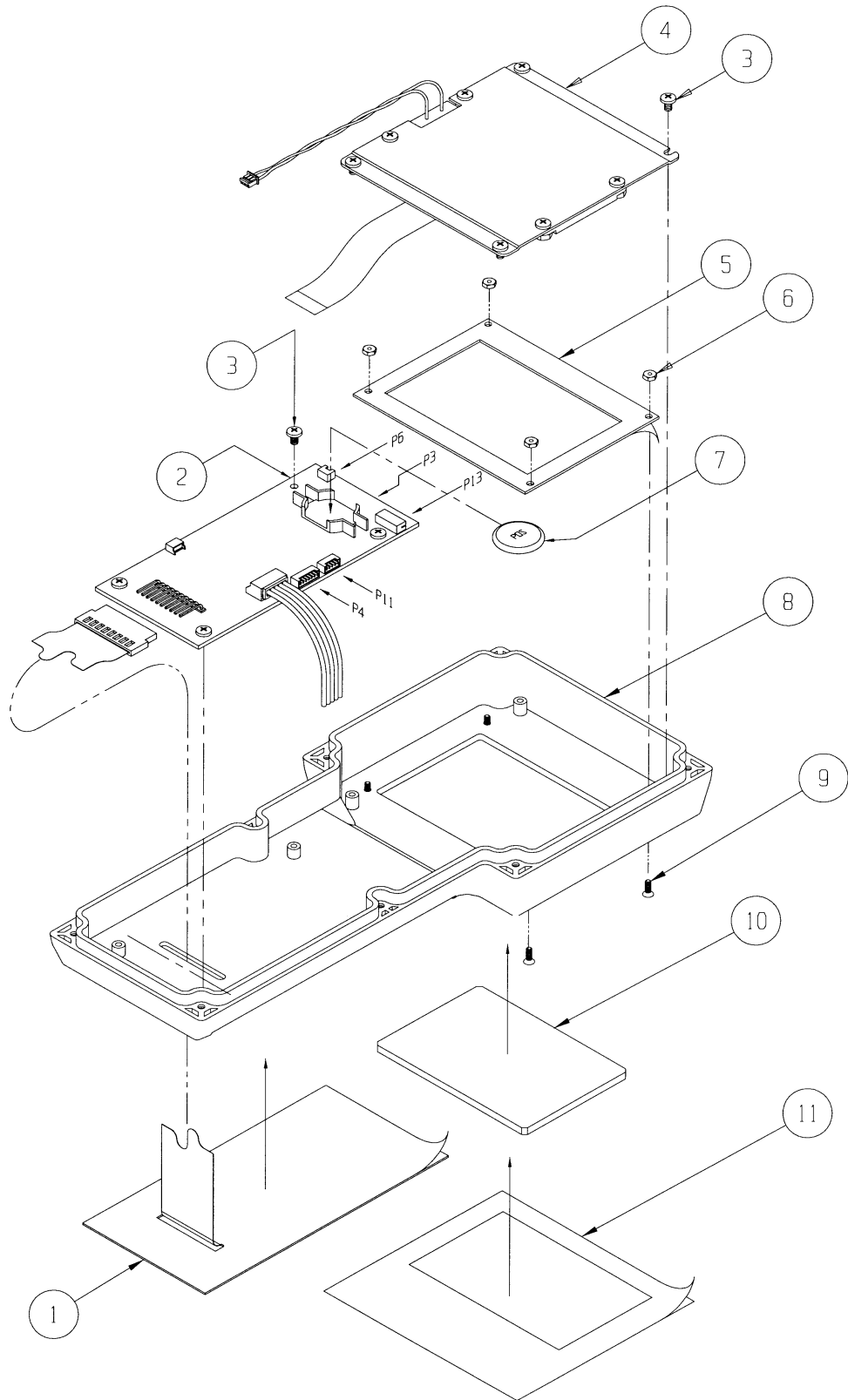


Part Number/Price

Item #	Part #	Description	Price
1	148847	Keypad	Consult
2	148889	PCA, controller	Consult
3	143842	Screw, PH 4-24 x 3/16, Phillips, SS	Consult
4	138115	PCA, display assembly	Consult
5	148923	Bracket, window	Consult
6	146541	Nut, hex, 2-56, SS	Consult
7	71408	Battery, lithium coin cell	Consult
8	148950	Enclosure	Consult
9	146547	Screw, PH, 2-56 x 1/4 Phillips, SS	Consult
10	148922	Window	Consult
11	148951	Label, display	Consult

MSI-9750A

Front Assembly



MSI-9750A

Back Assembly



Part Number/Price

Item #	Part #	Description	Price
1	148950	Enclosure	Consult
2	143709	Battery assembly 7.2 volt	Consult
3	149079	Cabel assembly, RS232	Consult
4	143787	Dust cover	Consult
5	143751	Screwlock assembly female 4-40	Consult
6	148949	Cable assembly, power jack	Consult
7	144095	Cover power jack	Consult
8	148953	Lanyard pin 1/8 in	Consult
9	144096	Split ring .6	Consult
10	144097	E-clip .125	Consult
11	148637	Tag, serial	Consult
12	148955	PCA, battery charger	Consult
13	143842	Screw, PH, 4-24 x 3/16, Phillips, SS	Consult
14	146627	Nut, hex, #6, nyloc	Consult
15	138489	Cable assembly, 2450 modem to CPU	Consult
16	143454	Antenna housing with straight MMCX connector	Consult
17	148799	Pad, poron 1.5 x .375 x .188	Consult
18	144158	2450 modem, RF, 2.4 GHz	Consult
19	149112	Mounting bracket, 2450 modem	Consult
20	143843	Gasket, enclosure	Consult
21	146577	Screw, FH, 6-32 x 1/2, Phillips, SS black	Consult
22	143881	Scre, PH, 4-40 x 1.38, Phillips, SS	Consult
23	143844	Gasket, battery	Consult
24	148859	Pad poron 4.25 x .63 x .25	Consult
25	148837	Pad poron 1.25 x 1.25 x .60	Consult
26	143882	Screw, PH, 4-40 x .50 Phillips, SS	Consult

MSI-9750A

Back Assembly

