

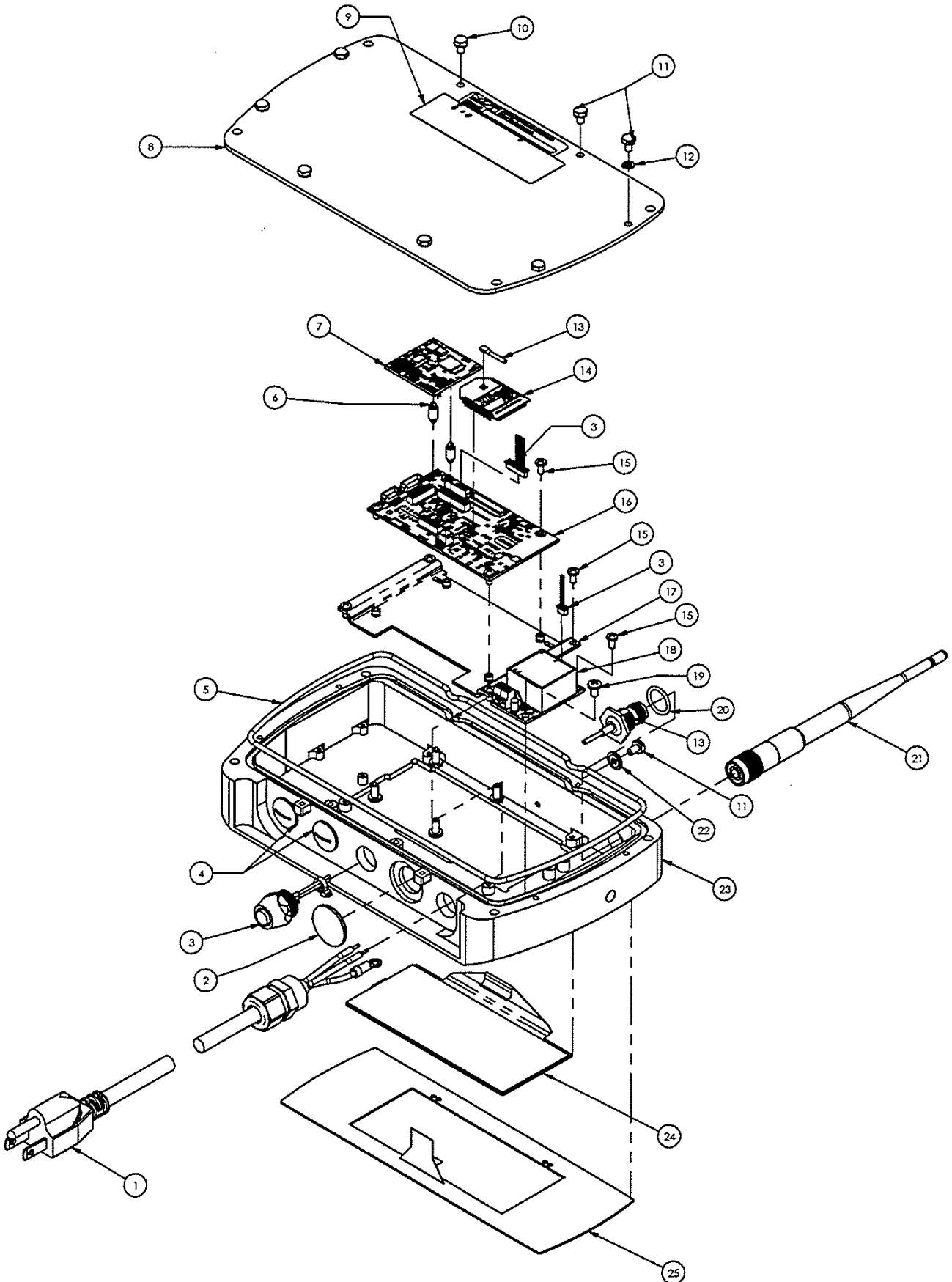
MSI-8000HD

Final Assembly Remote Display



Part Number/Price

| Item # | Part # | Description | Price |
|--------|--------|------------------------------|---------|
| 1 | 160518 | Power cord AC In | Consult |
| 2 | 154863 | Plug dia .900 with adhesive | Consult |
| 3 | 161591 | Cable assembly serial M12 | Consult |
| 4 | 143746 | Plug domed PG9 IP65 | Consult |
| 5 | 153110 | O-ring 7-1/4 x .103 | Consult |
| 6 | 144929 | Spacer miniature dual | Consult |
| 7 | 153428 | PCA ScaleCore3 no a/d | Consult |
| 8 | 152034 | Cover fixed mount | Consult |
| 9 | 159855 | Overlay TranSend FCC | Consult |
| 10 | 146022 | Bolt HH 6-32 x 1/4 Cap SS | Consult |
| 11 | 143271 | Screw mach hex hd dr hd | Consult |
| 12 | 146538 | Washer split lock SS #6 | Consult |
| 13 | 152051 | Cable assembly RF coax | Consult |
| 14 | 144773 | Radio module Xbee-pro | Consult |
| 15 | 128088 | Screw 4-40 x 1/4 PH Phillips | Consult |
| 16 | 151918 | PCA 6-digit LCD | Consult |
| 17 | 152046 | Bracket electronics | Consult |
| 18 | 151599 | PCA, AC power supply 5V 5W | Consult |
| 19 | 146601 | Screw PH 6-32 x 1/4 Phillips | Consult |
| 20 | 153793 | O-ring 1/2 id x .070 | Consult |
| 21 | 143283 | Antenna 2.4 GHz | Consult |
| 22 | 143272 | Washer seal #6 steel | Consult |
| 23 | 151492 | Enclosure fixed meter | Consult |
| 24 | 151575 | LCD display 6-digit | Consult |
| 25 | 149409 | Label descriptive switch | Consult |

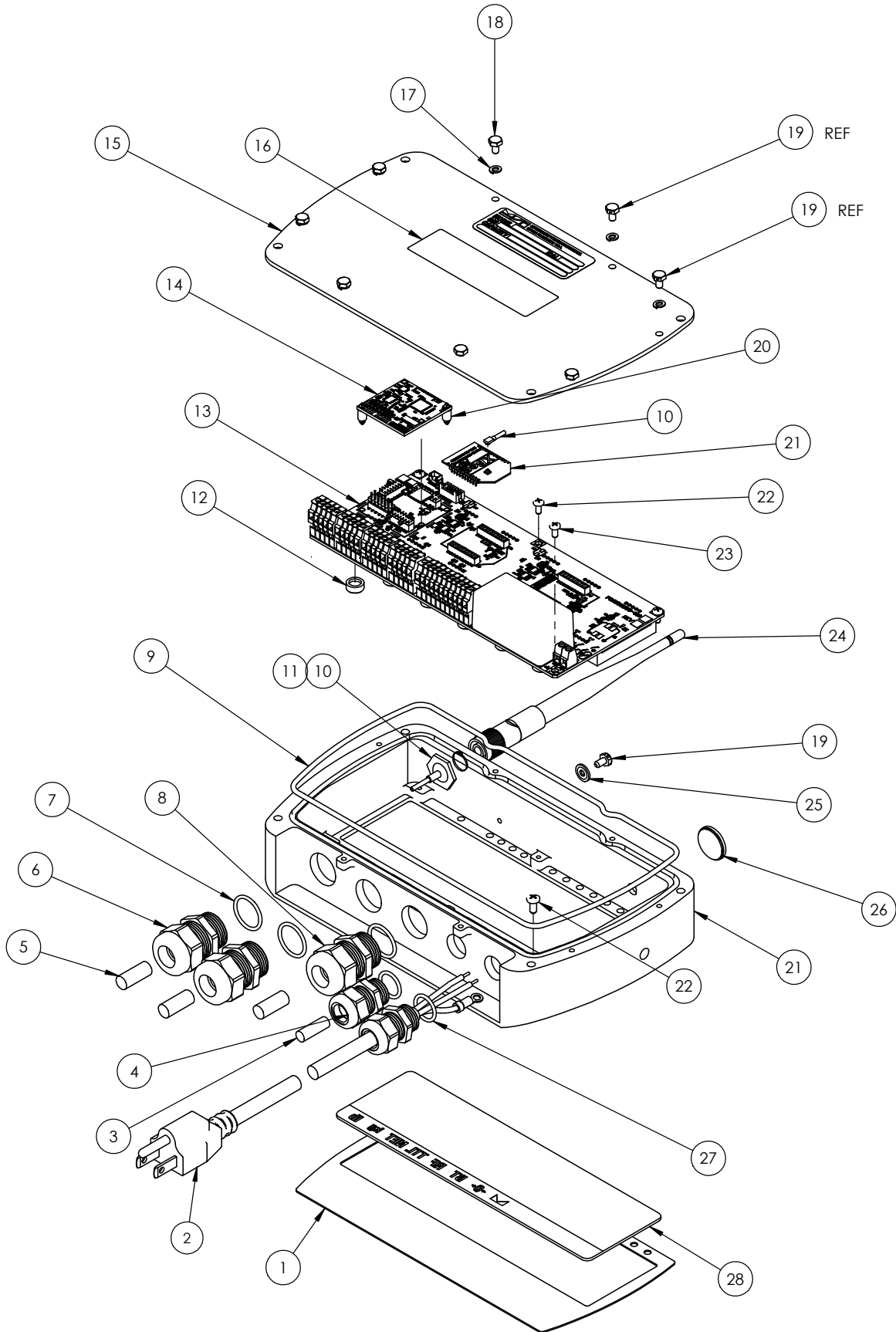


MSI-8004HD

Indicator AC

**Part Number/Price**

| Item # | Part # | Description | Price |
|--------|--------|------------------------------|---------|
| 1 | 178180 | Overlay, standard | Consult |
| 2 | 160518 | Power cord AC In | Consult |
| 3 | 141991 | Pin round acetal .25 dia | Consult |
| 4 | 141593 | Conn feed thru liquid | Consult |
| 5 | 142554 | Pin round acetal .312 dia | Consult |
| 6 | 177368 | Conn, feed thru, liquid | Consult |
| 7 | 177366 | O-ring, PG13, Buna-N | Consult |
| 8 | 177364 | Conn feed thru | Consult |
| 9 | 153110 | O-ring 7-1/4 x .103 | Consult |
| 10 | 152051 | Cable assembly RF coax | Consult |
| 11 | 153793 | O-ring 1/2 Id x .070 | Consult |
| 12 | 177362 | Key cap, SMS switches | Consult |
| 13 | 176192 | PCA 8004 indicator green/red | Consult |
| 14 | 153431 | PCA ScaleCore3 4-channel | Consult |
| 15 | 152034 | Cover fixed mount 8000 | Consult |
| 16 | 159855 | Overlay TranSend FCC | Consult |
| 17 | 146538 | Washer split lock SS #6 | Consult |
| 18 | 146022 | Bolt HH 6-32 x 1/4 Cap SS | Consult |
| 19 | 143271 | Screw mach hex hd dr hd | Consult |
| 20 | 144929 | Spacer miniature dual | Consult |
| 21 | 144773 | Radio module Xbee-pro | Consult |
| 22 | 144537 | Screw LKG PCH PH 6-32 | Consult |
| | 142233 | Screw LKG PCH Mach PNH | Consult |
| 23 | 146543 | Screw PH 4-40 x 1/4 nylon | Consult |
| 24 | 143283 | Antenna 2.4 GHz | Consult |
| 25 | 143272 | Washer seal #6 steel | Consult |
| 26 | 158438 | Plug dia .750 with adhesive | Consult |
| 27 | 177363 | O-ring, PG9, Buna-N | Consult |
| 28 | 177579 | LED filter med grey | Consult |



MSI-8004HD

Optional Kit Tilt Stand



Part Number/Price

| Item # | Part # | Description | Price |
|--------|--------|---------------------------|---------|
| 1 | 143224 | Bumper molded sbr .078 | Consult |
| 2 | 155172 | Tilt stand 8000HD | Consult |
| 3 | 155192 | Screw set 5/16-18 x 7/8 | Consult |
| 4 | 146200 | Washer flat nylon .315 ID | Consult |
| 5 | 143879 | Knob fluted 5/16-18 | Consult |

MSI-8004HD

Optional Kit Tilt Stand

