

# MSI-6260CS

## Front Casting Assembly

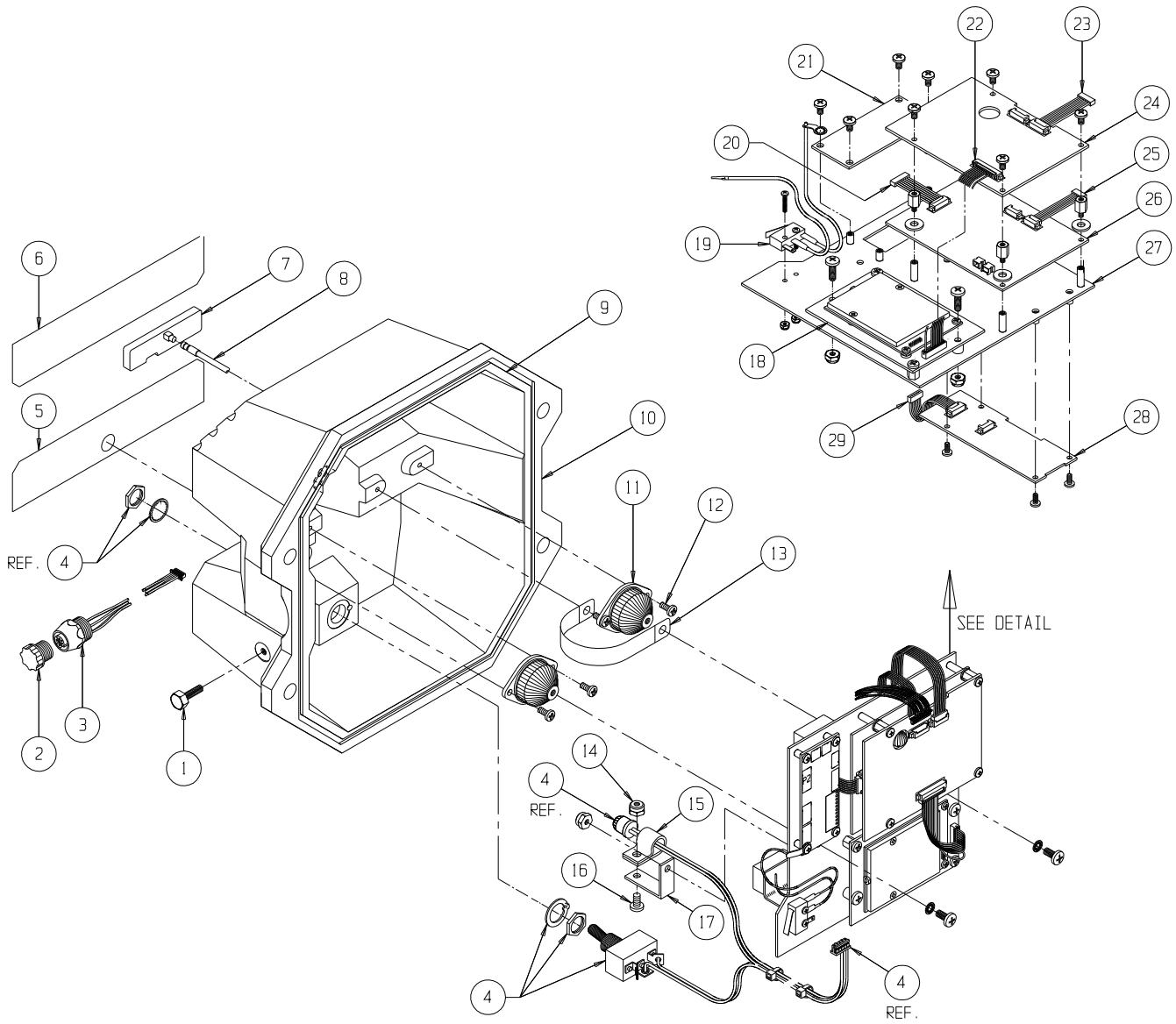


### Part Number/Price

Item #	Part #	Description	Price
1	142591	Screw, seal, 8-32 x .4375 SS	Consult
2	143352	Closure cap, connector, male	Consult
3	148733	Connector assembly, serial I/O intfc	Consult
4	137819	Switch, LED assembly	Consult
5	148689	Label, descriptive	Consult
6	150094	Label, descriptive	Consult
7	143454	Antenna, 2.4 Ghz	Consult
8	148691	Cable assembly, RF antenna	Consult
9	149724	O-Ring	Consult
10	150421	Casting	Consult
11	143688	Shock mount	Consult
12	146602	Screw, 6-32 x 5/16 PH, SS	Consult
13	139844	Ground strap	Consult
14	146627	Nut, Hex, 8-32 nyloc, SS	Consult
15	143075	Clamp, cable	Consult
16	146608	Screw, 8-32 x 7/16, PH, SS	Consult
17	143076	Bracket angel	Consult
18	138304	PCA with 2450 modem	Consult
19	138609	Cable assembly cal switch	Consult
20	148990	Cable assembly power supply to adapter	Consult
21	137519	PCA, connector adapter	Consult
22	149085	Cable assembly, micro-controller	Consult
23	148614	Cable assembly, A/D micro-controller	Consult
24	148547	PCA, micro-controller	Consult
25	148869	Cable assembly, A/D to power supply	Consult
26	148982	PCA, wide input power supply	Consult
27	148676	Mounting plate, electronic assembly	Consult
28	148548	PCA, high resolution A/D	Consult
29	148872	Cable assembly, A/D to adapter	Consult

# MSI-6260CS

Front Casting Assembly



OVERHEAD WEIGHING REPLACEMENT PARTS

www.ricelake.com | Phone: 800-472-6703

**RICE LAKE**

## MSI-6260CS

Mid-Section Assembly (500 - 10,000lb) (S-Beam Load Cells)

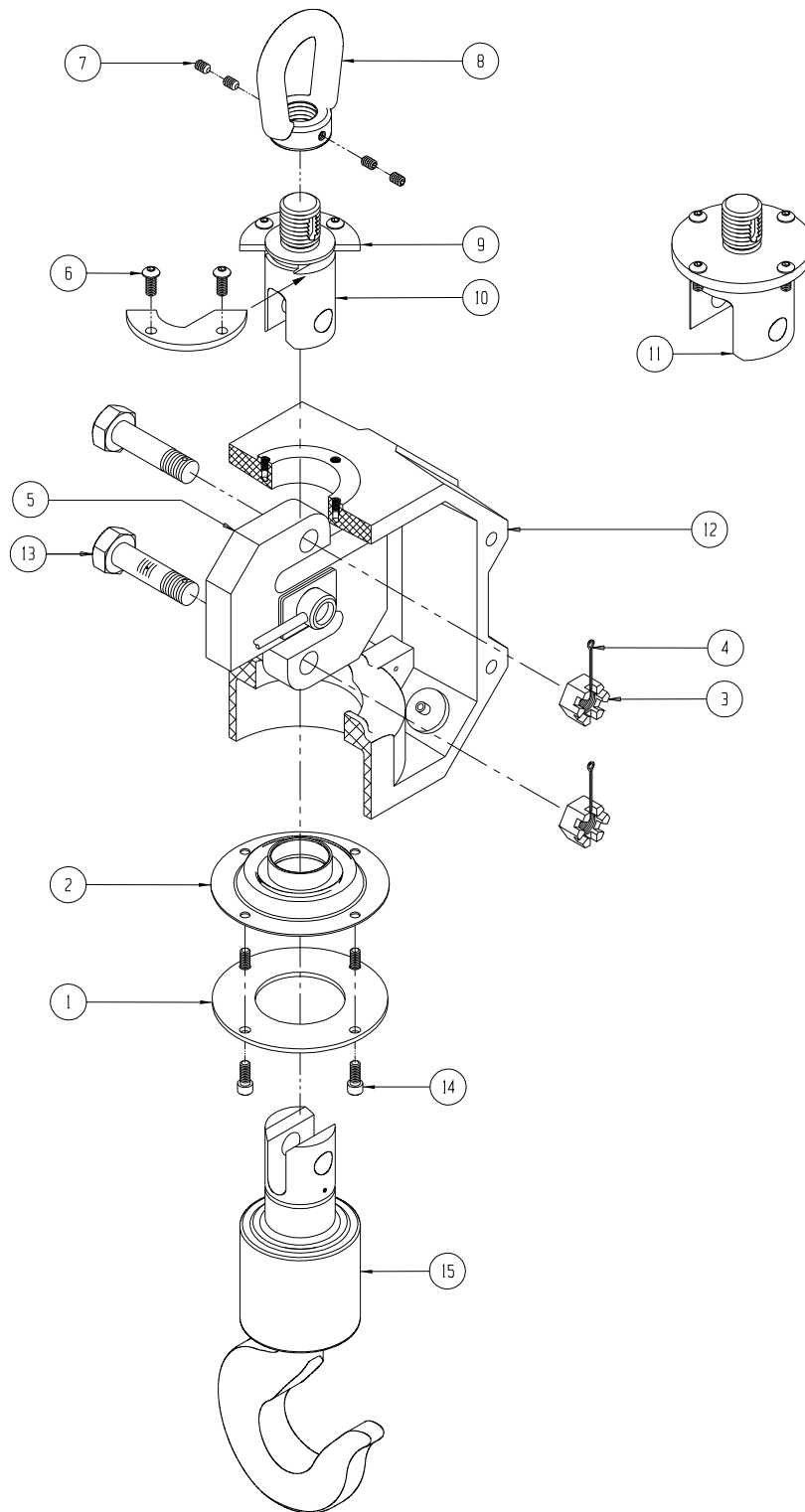


### Part Number/Price

Item #	Part #	Description	Price
1	148259	Collar, 500/2K	Consult
1	149168	Collar, 5/10K	Consult
2	149710	Seal, 500/2K	Consult
2	149165	Seal, 5/10K	Consult
3	142832	Nut, hex	Consult
4	15238	Cotter pin	Consult
5	138665	Load cell assembly, 500	Consult
5	138666	Load cell assembly, 2K	Consult
5	138667	Load cell assembly, 5K	Consult
5	138668	Load cell assembly, 10K	Consult
6	72031	Screw, BH, 1/4-20 x 5/8, SS	Consult
7	128799	Screw set, 1/4-20 x 3/8, SS	Consult
8	139795	Eye nut, lifting, 500/2K	Consult
8	148225	Eye nut, lifting 5/10K	Consult
9	148274	Collar, top (2 pcs.)	Consult
10	148271	Link, upper, 500/2K	Consult
11	149126	Link, upper, 5/10K	Consult
12	150519	Casting, mid section, 500/2K	Consult
12	149175	Casting, mid section, 5/10K	Consult
13	148457	Bolt, clevis, 500/2K	Consult
13	149217	Bolt, clevis, 5/10K	Consult
Not Shown	144878	Washer, Flat 5/8, must go with 5/10K bolt (4 places)	Consult
14	145990	Screw, SH, 1/4-20 x 5/8, SS	Consult
15	135043	Hook assembly, swivel, 500/2K	Consult
	143236	Latch, safety (fits 500787-0001 hook with hole)	Consult
15	134523	Hook assembly, swivel, 5/10K	Consult
	143233	Latch, safety (fits 500297-0001 hook with hole)	Consult

# MSI-6260CS

Mid-Section Assembly (500 - 10,000lb) (S-Beam Load Cells)



**MSI-6260CS**

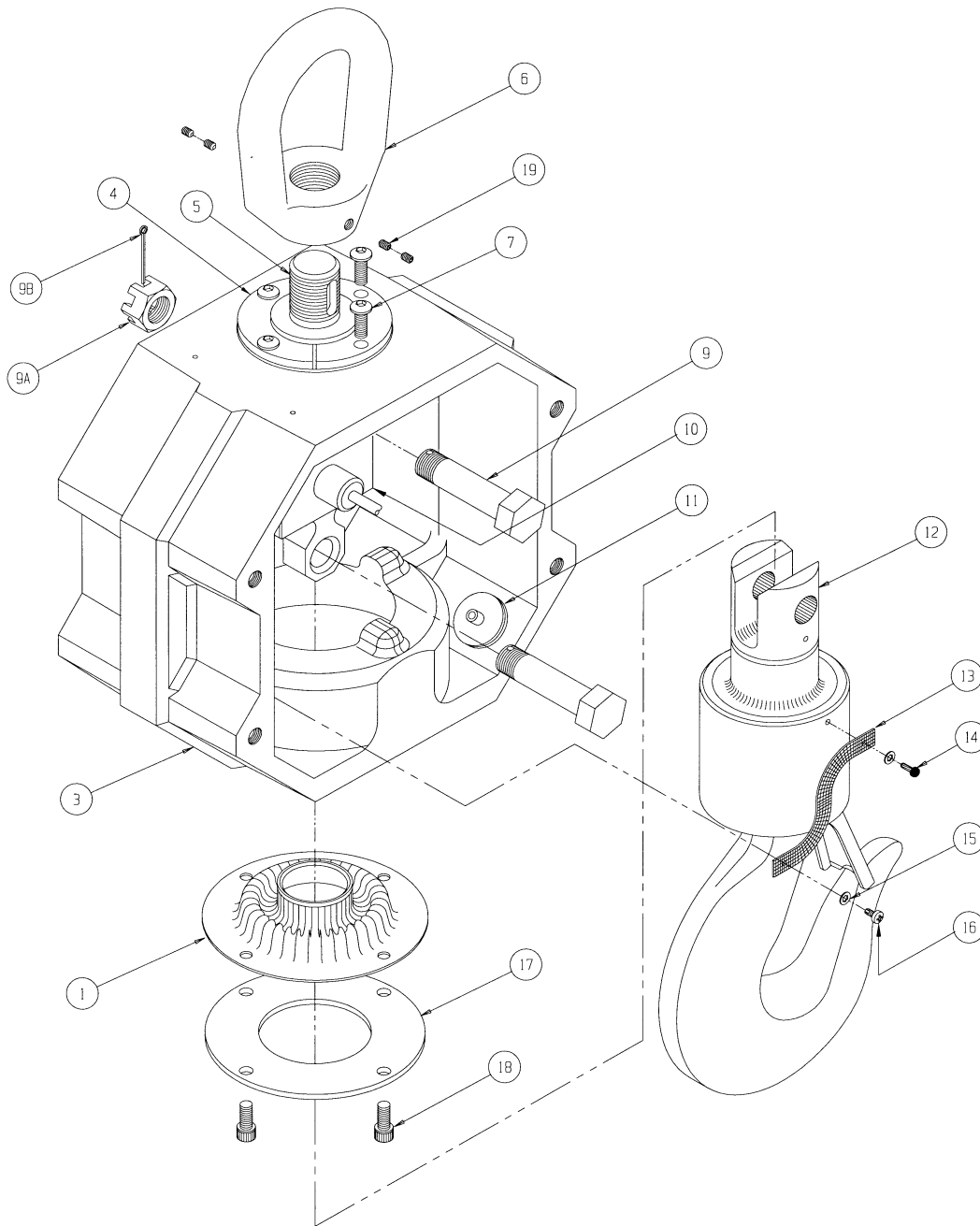
Mid-Section Assembly (500 - 10,000 lb)

**Part Number/Price**

Item #	Part #	Description	Price
1	149710	Seal, lower	Consult
3	150519	Casting	Consult
4	148274	Collar, top (2 pcs.)	Consult
5	148271	Link, upper	Consult
6	139795	Eye, lifting 500/2,000 lb	Consult
6	148225	Eye, lifting 5,000/10,000 lb	Consult
7	72031	Screw, BH, 1/4-20 x 5/8, SS	Consult
9	148457	Bolt, clevis	Consult
9A	142832	Nut, hex	Consult
9B	15238	Cotter pin	Consult
10	140003	Load cell assembly, 500 lb	Consult
10	141198	Load cell assembly, 2,000 lb	Consult
10	141199	Load cell assembly, 5,000 lb	Consult
10	141200	Load cell assembly, 10,000 lb	Consult
11	146322	Filter	Consult
12	135043	Hook assembly, swivel, 500/2,000 lb	Consult
	143236	Latch, safety (fits 500787-0001 hook with hole)	Consult
	111410	Latch, safety (fits 500787-0001 hook)	Consult
12	134521	Hook assembly, swivel, 5,000/10,000 lb	Consult
	143233	Latch, safety (fits 500297-0001 hook with hole)	Consult
	146295	Latch, safety (fits 500297-0001 hook)	Consult
13	139843	Ground strap	Consult
14	142110	Screw, drive, #6 x .25, SS	Consult
15	81280	Washer, internal tooth, 6-32	Consult
16	146102	Screw, PH, 6-32 x 1/4, Phillips SS	Consult
17	148259	Collar	Consult
18	145990	Screw, SH, 1/4-20 x 5/8, SS	Consult
19	128799	Screw set, 1/4-20 x 3/8, SS	Consult

# MSI-6260CS

Mid-Section Assembly (500 - 10,000lb)



# MSI-6260CS

Mid-Section Assembly (20 &amp; 30,000lb)

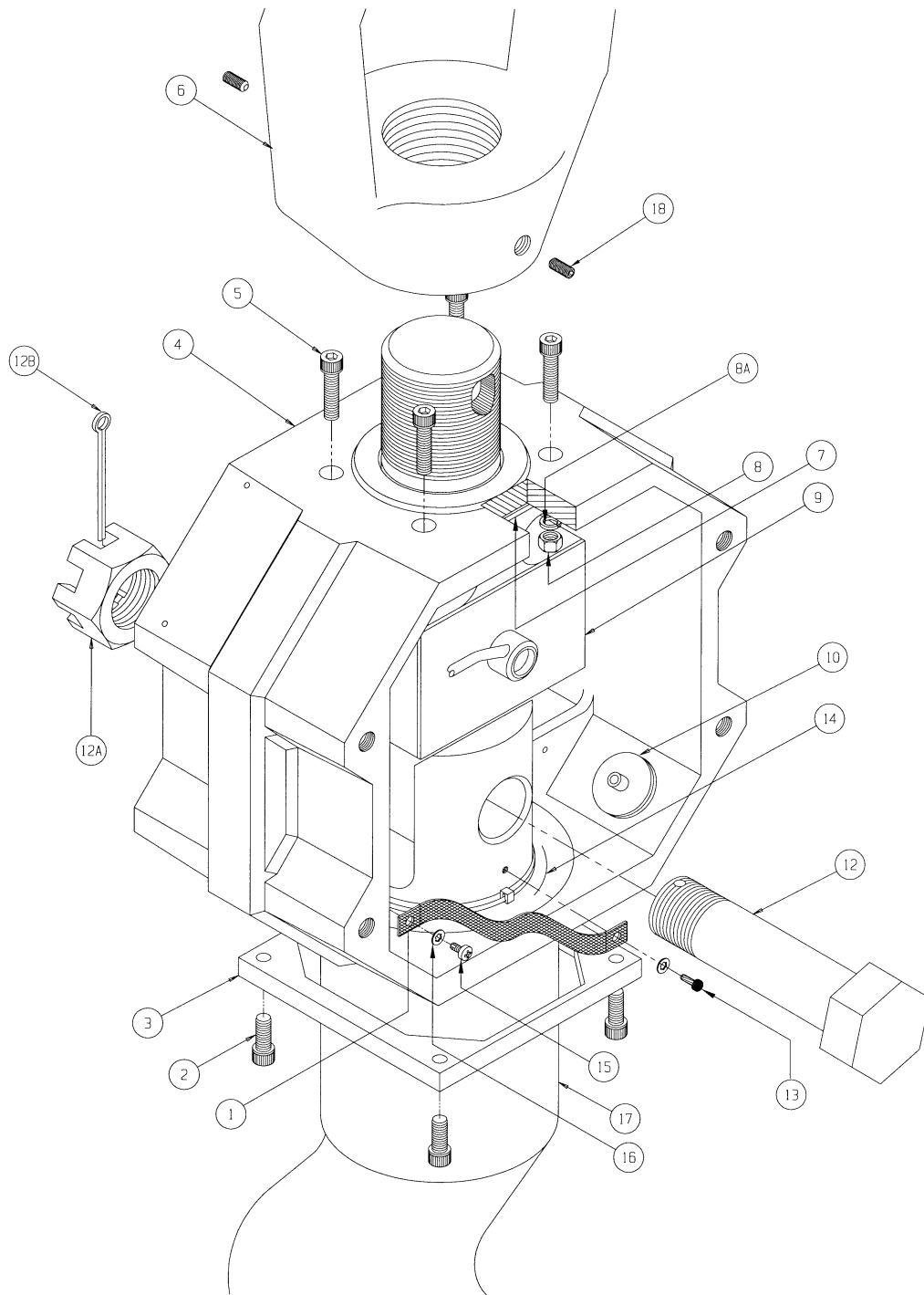


## Part Number/Price

Item #	Part #	Description	Price
1	139843	Ground strap	Consult
2	145990	Screw, SH, 1/4-20 x 5/8, SS	Consult
3	149958	Collar, lower	Consult
4	150523	Casting	Consult
5	81405	Screw, SH, 1/4-20 x 1, SS	Consult
6	148110	Eye, lifting	Consult
7	149976	Seal, upper	Consult
8	14642	Nut, hex, 1/4-20, SS	Consult
8A	15148	Washer split	Consult
9	134566	Load cell assembly	Consult
10	146322	Filter	Consult
12	148458	Bolt	Consult
12A	142833	Nut	Consult
12B	142186	Cotter pin	Consult
13	142110	Screw, drive, #6 x .25, SS	Consult
14	149957	Seal, lower	Consult
15	146102	Screw, PH, 6-32 x 1/4, Phillips, SS	Consult
16	81280	Washer, internal tooth, #6, SS	Consult
17	134938	Hook assembly, swivel 20,000 lb	Consult
	110661	Latch, safety (fits 500729-0001 hook with hole)	Consult
	142138	Latch, safety (fits 500729-0001 hook)	Consult
17	134939	Hook assembly, swivel 30,000 lb	Consult
	143235	Latch, safety (fits 500729-0002 hook with hole)	Consult
	142139	Latch, safety (fits 500729-0002 hook)	Consult
18	146081	Screw set, 3/8-24 x 3/4, SS	Consult

# MSI-6260CS

Mid-Section Assembly (20 & 30,000lb)



OVERHEAD WEIGHING REPLACEMENT PARTS

www.ricelake.com | Phone: 800-472-6703

**RICE LAKE**



**MSI-6260CS**

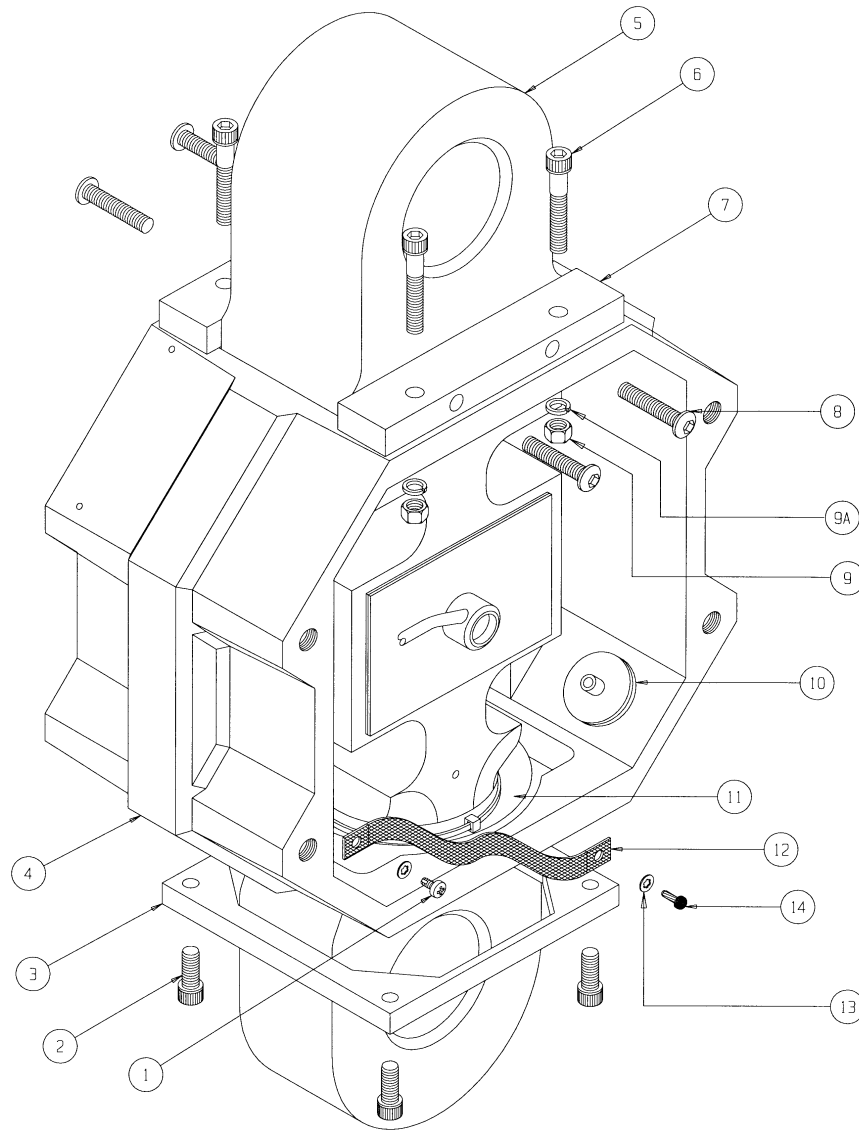
Mid-Section Assembly (50 &amp; 70,000lb)

**Part Number/Price**

Item #	Part #	Description	Price
1	146102	Screw, PH, 6-32 x 1/4, Phillips, SS	Consult
2	145990	Screw, SH, 1/4-20 x 5/8, SS	Consult
3	149958	Collar	Consult
4	150525	Casting	Consult
5	134716	Load cell assembly	Consult
6	117599	Bolt, SH, 1/4-20 x 1-1/2, SS	Consult
7	148213	Collar	Consult
7	149964	Collar (pre 1992 only)	Consult
8	145982	Screw, BH, 1/4-20 x 1, SS	Consult
9	14642	Nut, hex, 1/4-20, SS	Consult
9A	15148	Washer split	Consult
10	146322	Filter	Consult
11	149957	Seal	Consult
12	139843	Ground strap	Consult
13	81280	Washer, internal tooth, #6, SS	Consult
14	142110	Screw, drive, #6 x .25, SS	Consult
Not Shown	151356	Shackle, 25T 50,000 lb	Consult
Not Shown	146335	Shackle, 40T 70,000 lb	Consult
Not Shown	135035	Hook, swivel, 50,000 lb	Consult
	142179	Latch, safety (fits 500782-0001 hook)	Consult
Not Shown	135036	Hook, swivel, 70,000 lb	Consult
	142180	Latch, safety (fits 500782-0002 hook)	Consult

# MSI-6260CS

Mid-Section Assembly (50 & 70,000lb)



OVERHEAD WEIGHING REPLACEMENT PARTS

www.ricelake.com | Phone: 800-472-6703

**RICE LAKE**

# MSI-6260CS

## Battery Casting Assembly

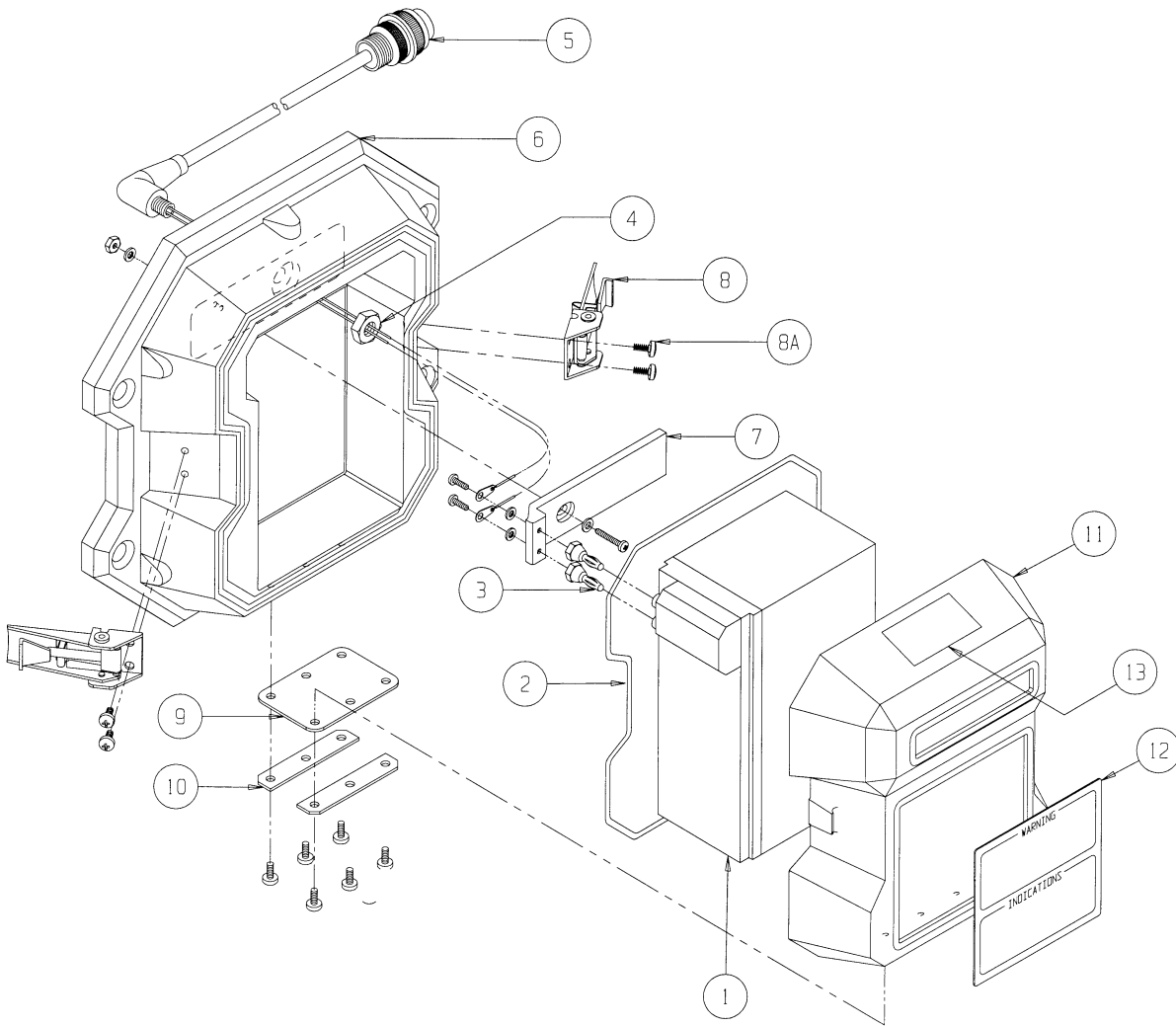


### Part Number/Price

Item #	Part #	Description	Price
1	150367	Battery assembly	Consult
2	149723	O-Ring	Consult
3	147825	Plug, banana	Consult
4	114485	Nut, jam, 5/16-24, hex, SS	Consult
5	133795	Cable assembly, power	Consult
6	150517	Casting	Consult
7	150073	Connector, battery	Consult
8A	146107	Screw	Consult
8	145934	Latch	Consult
9	149719	Hinge, rubber	Consult
10	149718	Plate, hinge	Consult
11	150516	Casting	Consult
12	137353	Label, RF battery warning, 2450 modem	Consult
12	137352	Label, RF battery warning, 2400 modem	Consult
13	137351	Label, FCC	Consult
<b>Complete Battery Casting Assembly</b>			
-	141254	Battery casting assembly	Consult
-	141100	Battery casting assembly, 115 or 230 VAC, 50/60 Hz	Consult

# MSI-6260CS

Battery Casting Assembly



OVERHEAD WEIGHING REPLACEMENT PARTS

www.ricelake.com | Phone: 800-472-6703

**RICE LAKE**

# MSI-6260CS

Universal Battery Charger Assembly

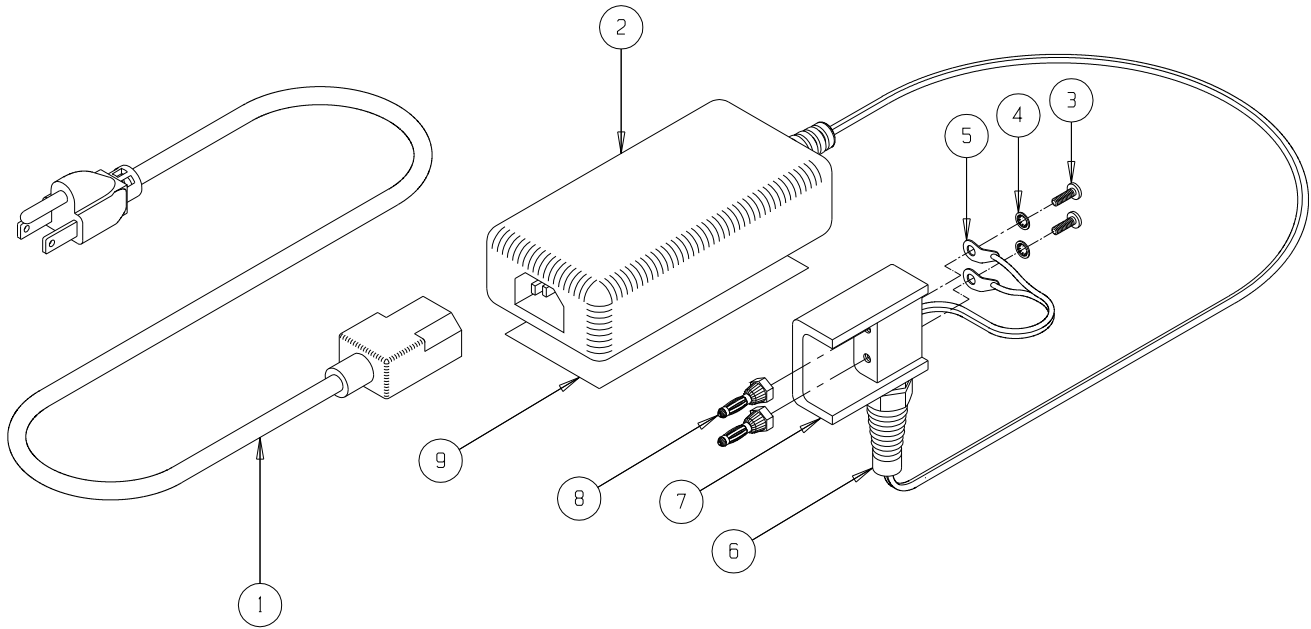


## Part Number/Price

Item #	Part #	Description	Price
1	143974	Power cord, North America	Consult
1	143981	Power cord, United Kingdom (not shown)	Consult
1	143979	Power cord, European (not shown)	Consult
1	143980	Power cord, Australian (not shown)	Consult
2	144890	Universal power adapter	Consult
3	146603	Screw, RH 6-32 x 3/8, Std., SS	Consult
4	81280	Washer internal tooth #6, SS	Consult
5	141635	Lug, solder #6, copper	Consult
6	144936	Feed thru	Consult
7	149434	Housing battery plug	Consult
8	147825	Plug, banana	Consult
9	139369	Label, descriptive 12V	Consult
-	138006	Universal battery charger 115/230 VAC, 50/60 Hz (North American plug configuration is standard; contact factory if alternate is required)	Consult

# MSI-6260CS

Universal Battery Charger Assembly



OVERHEAD WEIGHING REPLACEMENT PARTS

www.ricelake.com | Phone: 800-472-6703

**RICE LAKE**