

MSI-4260M Marine

Front Assembly



Part Number/Price

Item #	Part #	Description	Price
1	194469	Front casting 4260M	Consult
2	182066	O-ring 5.707 x .103	Consult
3	146251	O-ring ID .614 x .070 70 durometer	Consult
4	146625	NUT hex 4-40 nyloc ss	Consult
5	196523	Window LCD 4260M	Consult
6	196524	Bracket LCD and electronics 4260M	Consult
7	195333	LCD display module 4260M	Consult
8	79567	Screw sh 6-32 X 3/4 ss	Consult
9	191081	PCA LCD 4260M	Consult
10	196566	Screw set 4-40 X 1.0 lg cp ss	Consult
11	147563	Switch, black, watertight	Consult
12	147562	Switch, red, watertight	Consult
13	137805	PCA Scalecore 1 channel with turck insert	Consult
14,16,26	196276	Bulkhead assembly front 4260M	Consult
15	139448	Cable assembly switch harness 4260B (not shown)	Consult
16	139471	Cable assembly bulkhead lc 4260B/4260M	Consult
17	144773	Radio module XBEE-PRO 802.15.4 U.FL connect	Consult
18	139449	Cable assembly comm serial data RS-232 4260B/4260M	Consult
19	146593	Screw ph 4-40 X 3/16 Phillips SS	Consult
20	146604	Screw ph 6-32 X 7/16 Phillips SS	Consult
21	149724	O-ring assembly front casting paw/trans-weigh 4260M	Consult
22	142472	Washer seal stat-o-seal 1/4 inch	Consult
23	144333	Screw hh 1/4-20 X .75 drilled hd zinc pltd	Consult
24	195104	Overlay, descriptive 4260M	Consult
25	194709	Overlay switch 4260M	Consult
26	139472	Cable assembly bulkhead power 4260B/4260M	Consult
27	144929	Spacer mini dual locking .1 hole x 6 mm long	Consult
28	143454	Antenna 2.4GHz patch with straight mmcx	Consult
29	139450	RF cable assembly mmcx str jack - U.FL 175 mm	Consult
30	197592	Light shield blackout .235 x 1.25 peel & stick	Consult
31	143352	Conn closure cap IP68 male	Consult

Note: Items 14, 16 and 26, Please add new item for the assembly

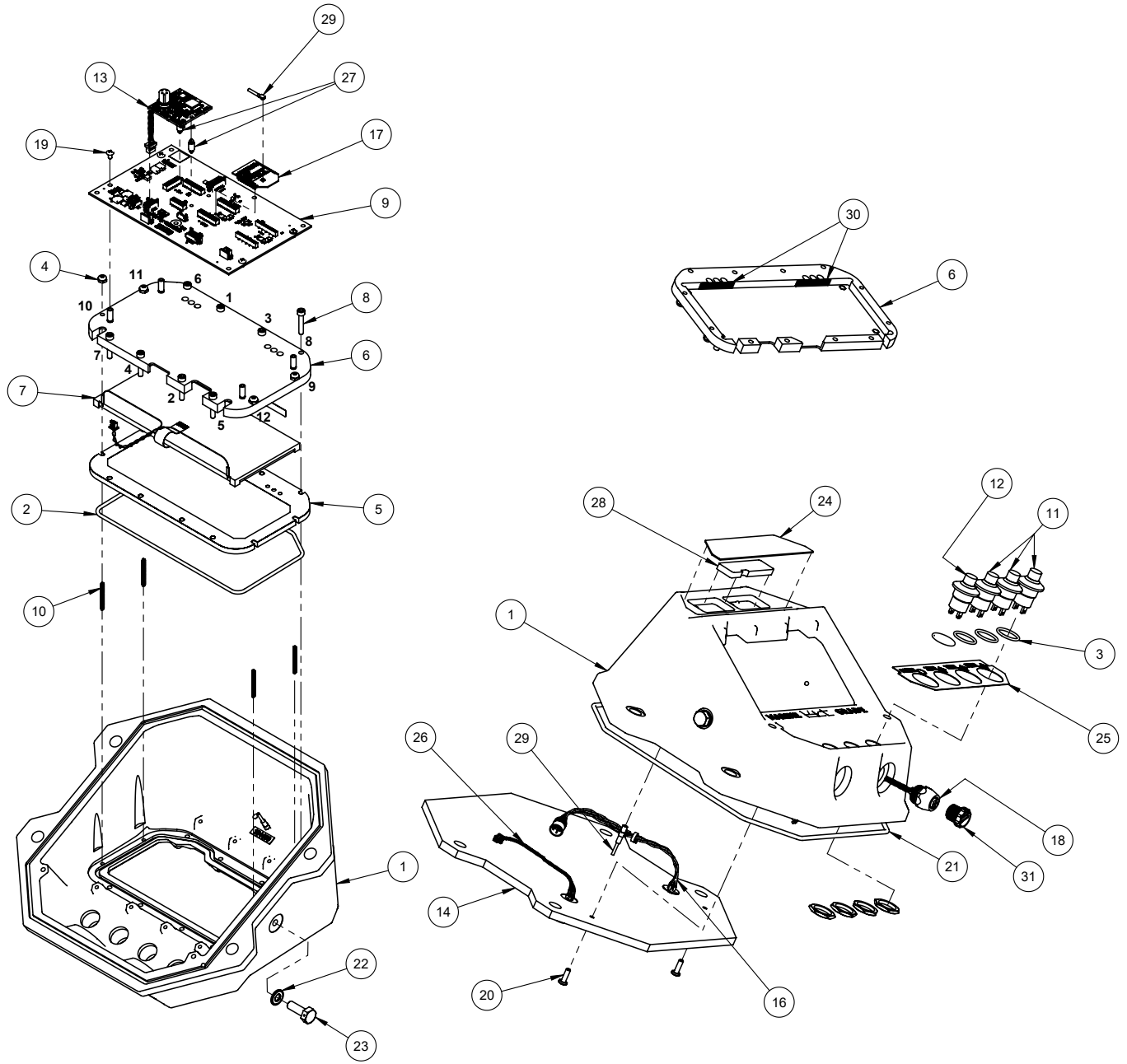
MSI-4260M Marine

Front Assembly

OVERHEAD WEIGHING REPLACEMENT PARTS

www.ricelake.com | Phone: 800-472-6703

RICE LAKE



MSI-4260M Marine

Back Assembly

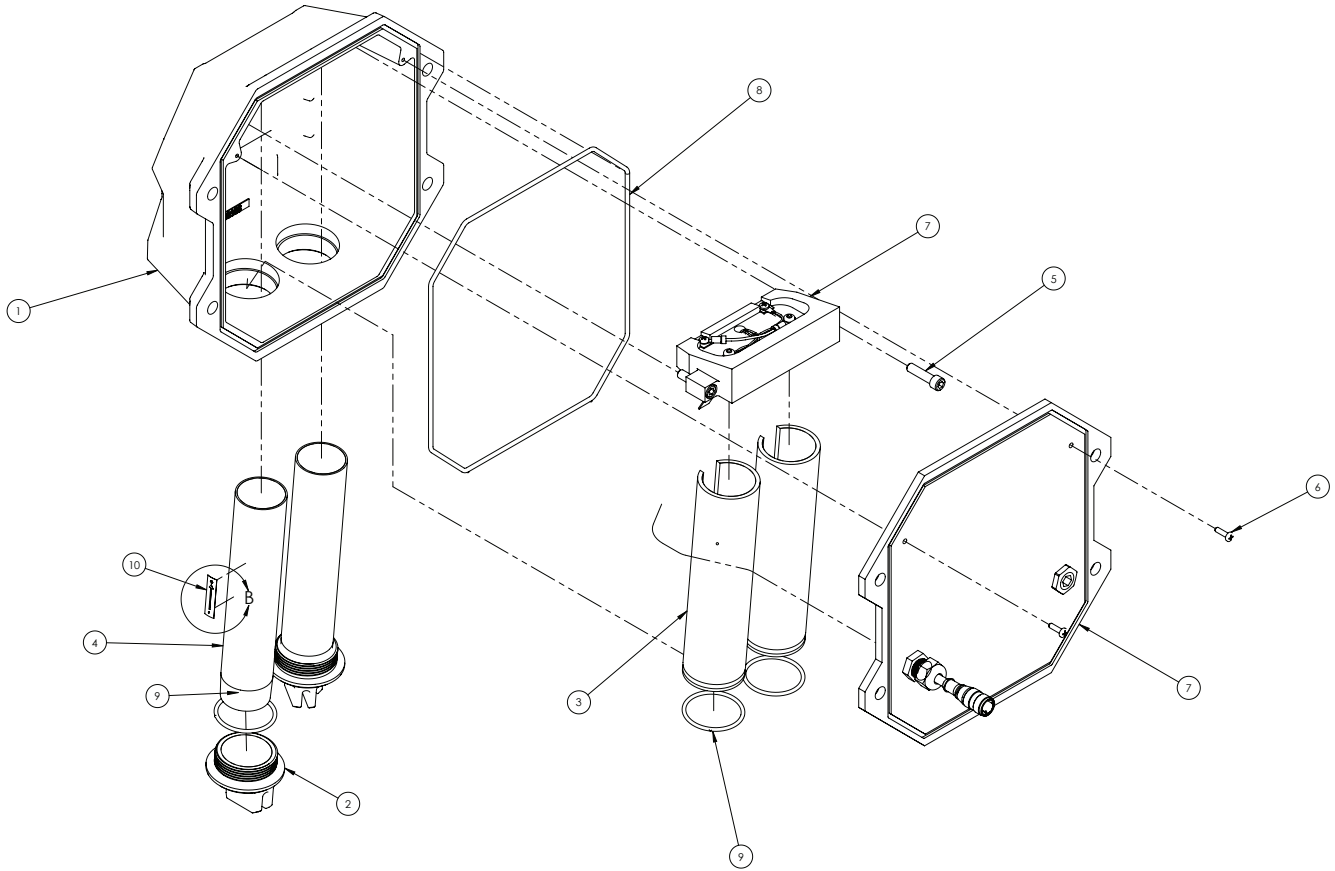


Part Number/Price

Item #	Part #	Description	Price
1	196155	Rear casting d-cell battery 4260M	Consult
2	147901	Battery cap paw+ d-cell tube 4260M	Consult
3	196308	Guide tube d-cell battery 4260M	Consult
4	196313	Weldment d-cell battery tube	Consult
5	81405	Screw sh 1/4-20 X 1 ss	Consult
6	146605	Screw ph 6-32 X 1/2 ss	Consult
7	196500	Battery terminal carrier assembly	Consult
8	149724	O-ring assembly front casting paw/trans-weigh 4260M	Consult
9	196502	O-ring 1-9/16 id x .103	Consult
10	141676	Polarity label	Consult

MSI-4260M Marine

Back Assembly



OVERHEAD WEIGHING REPLACEMENT PARTS

www.ricelake.com | Phone: 800-472-6703

RICE LAKE

MSI-4260M Marine

Midsection Assembly

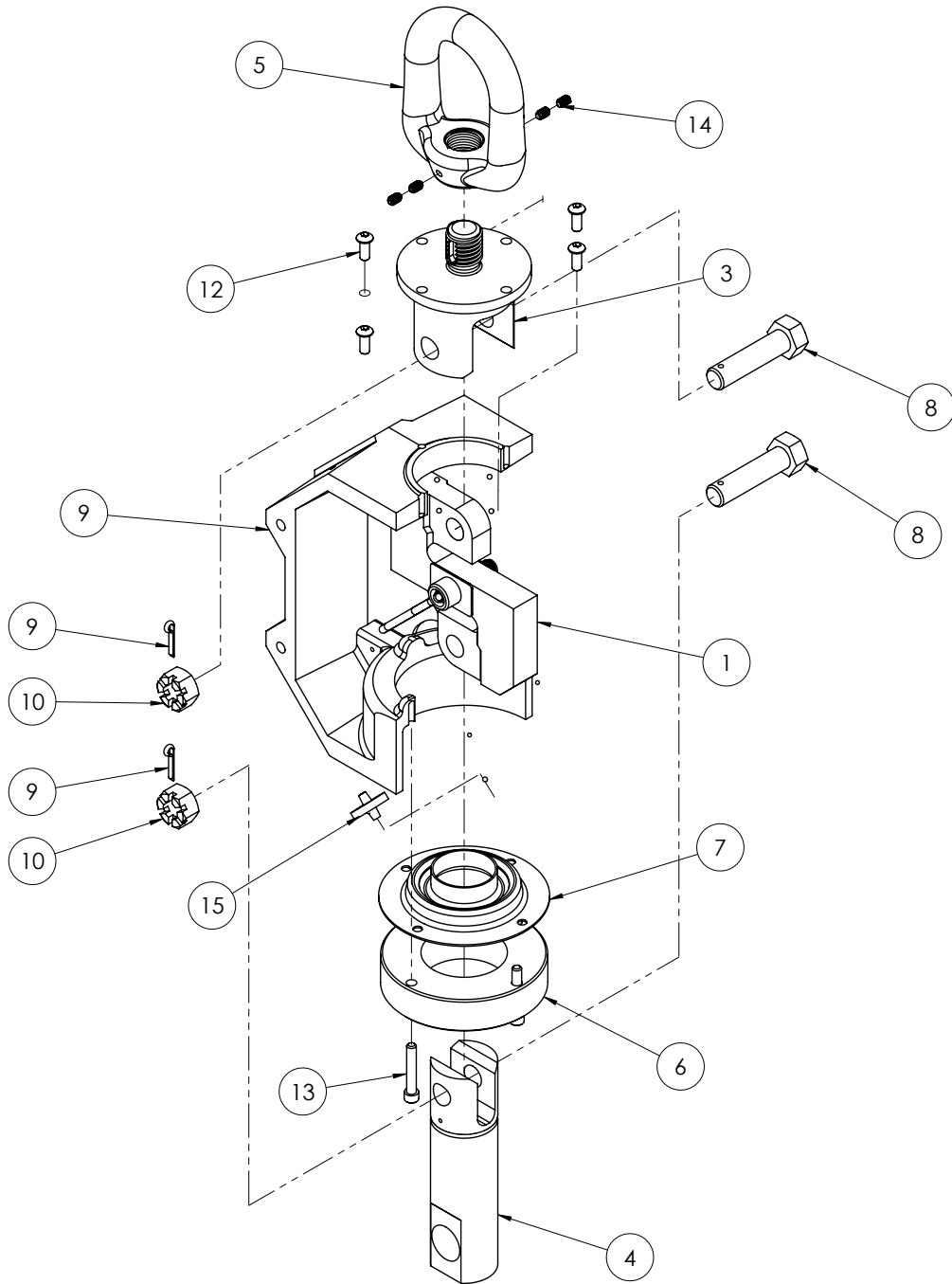


Part Number/Price

Item #	Part #	Description	Price
1	138663	Load cell assembly 5K s-beam 4260B/4260M	Consult
2	149175	Casting mid section 5/10K s-beam 6260CS, 4260M	Consult
3	203378	Upper link s-beam 5/10K	Consult
4	197430	Lower link 5/10K s-beam 4260M	Consult
5	148225	Eye nut 5/10K	Consult
6	204508	Collar 5/10K shackle	Consult
7	149165	Seal lower link EDPM	Consult
8	149217	Bolt clevis pin hex HD 5/8 x 2.75 GRIP. 5K/10K capacity	Consult
9	15238	Pin cotter 1/8 X 1 ss	Consult
10	142832	Nut hex slotted 5/8-11	Consult
11	144878	Washer flat 5/8 X 1.312	Consult
12	72031	Screw bh 1/4-20 X 5/8 ss socket hd	Consult
13	117599	Screw sh 1/4-20 X 1-1/2 ss	Consult
14	128799	Screw set 1/4-20 X 3/8 ss	Consult
15	146322	Filter millipore	Consult

MSI-4260M Marine

Midsection Assembly



OVERHEAD WEIGHING REPLACEMENT PARTS

www.ricelake.com | Phone: 800-472-6703

RICE LAKE