

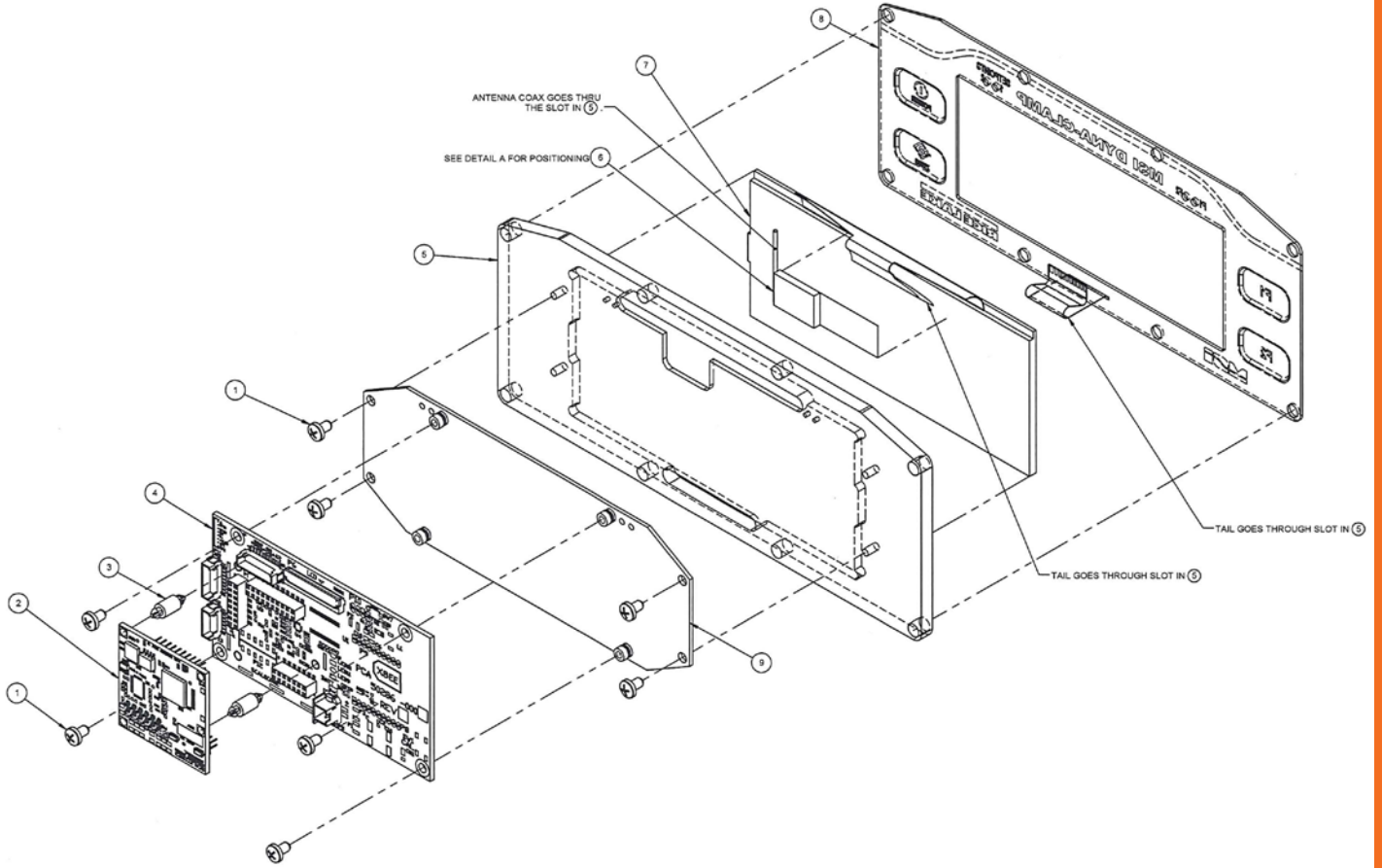
Dyna-Clamp

Display Assembly



Part Number/Price

Item #	Part #	Description	Price
1	142233	Screw lkg pch mach phh ss 4-40 3/16 lg	Consult
2	153431	PCA scalecore 3 4-channel with board to board header (not field installable)	Consult
3	144939	Spacer miniature dual locking 6 mm long	Consult
4	151918	PCA 6-digit LCD 7300	Consult
5	189582	Front plate LCD mount	Consult
6	197204	Antenna, 2.4 GHz, 2dBi with u.fl cable, 100 mm	Consult
7	186658	LCD module dual line 4.5 in x 2.0 in (6 primary display digits) line tension check lcd display	Consult
8	191640	Overlay with dome switches	Consult
9	191813	Mounting plate electronics	Consult



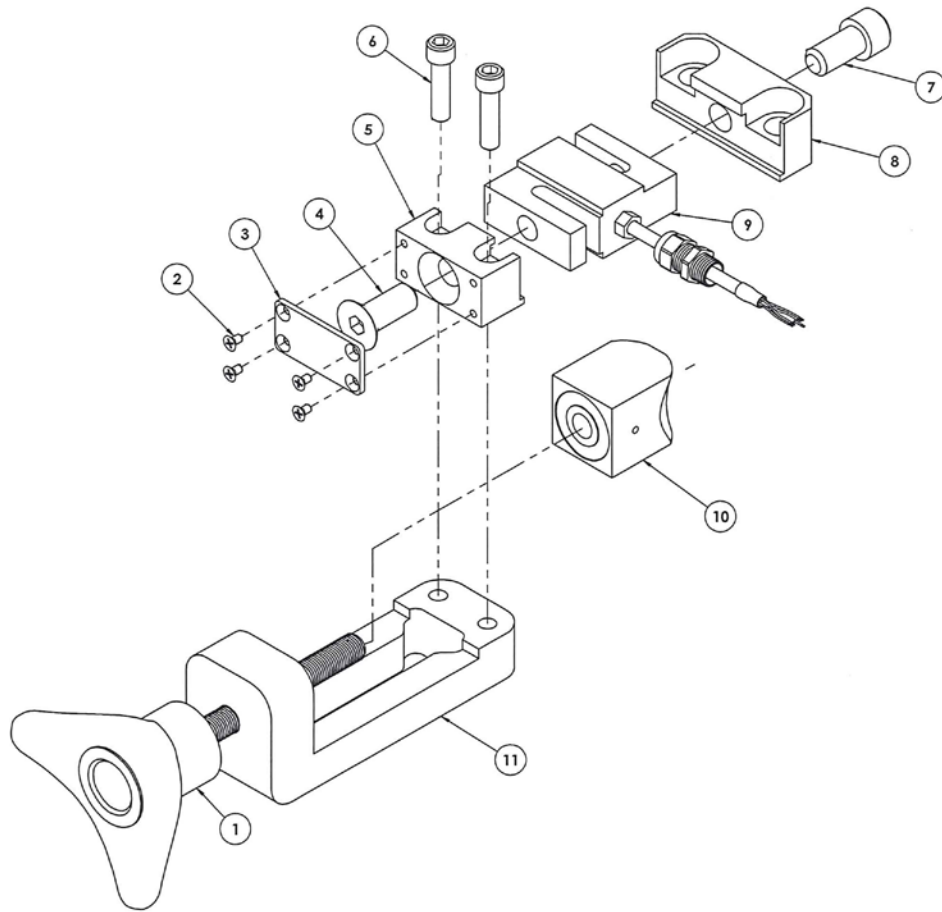
Dyna-Clamp

Rod Assembly



Part Number/Price

Item #	Part #	Description	Price
1	196441	Handle and drive rod assembly	Consult
2	146560	Screw fh 6-32 x 1/4 Phillips SS	Consult
3	192405	Striker plate	Consult
4	192718	Screw cap fh 82 deg 1/2-20 unf x 1.25 lg hex drive alloy steel black oxide	Consult
5	191072	Lower load cell mount	Consult
6	192747	Screw sh 5/16-18 uc x 1.25 lg alloy steel black oxide cap screw	Consult
7	192746	Screw sh 1/2-20 unf x 1.00 lg alloy steel black oxide cap screw	Consult
8	191071	Upper load cell mount	Consult
9	192740	Load cell assembly 500 lb (not field installable)	Consult
10	193410	Drive rod end assembly	Consult
11	192416	Drive block	Consult



Dyna-Clamp

Front and Back Assembly

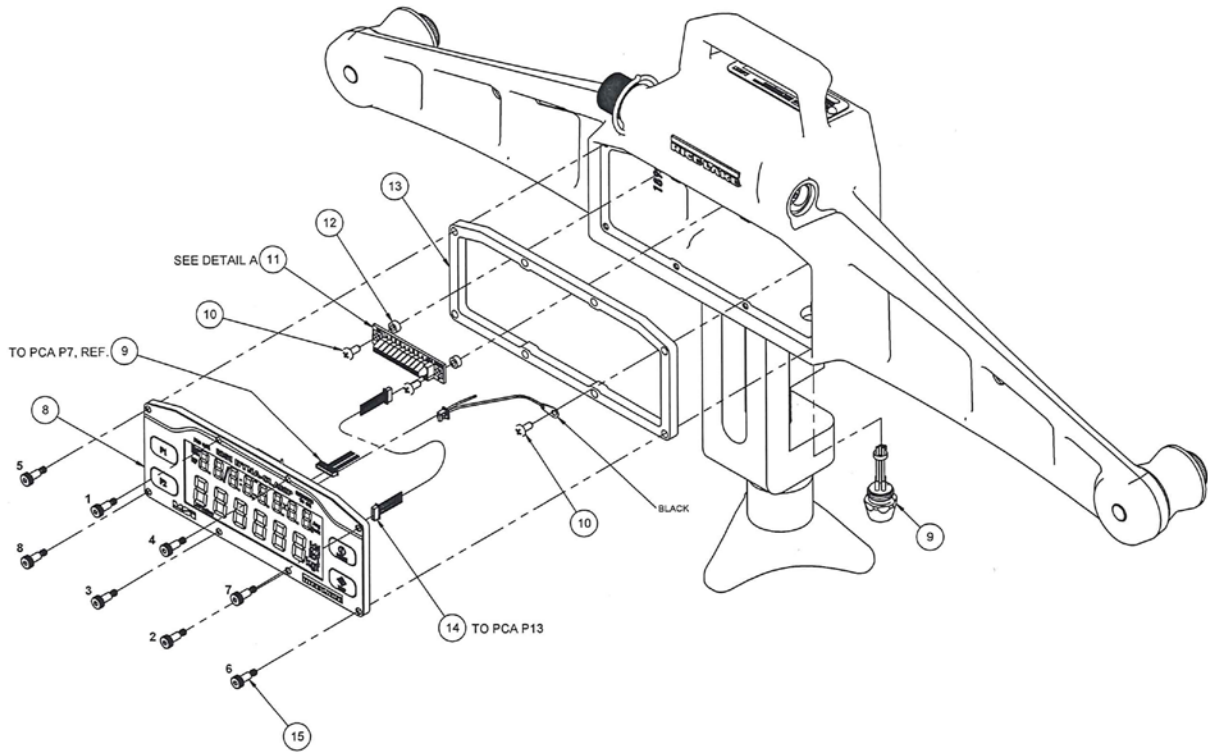


Part Number/Price

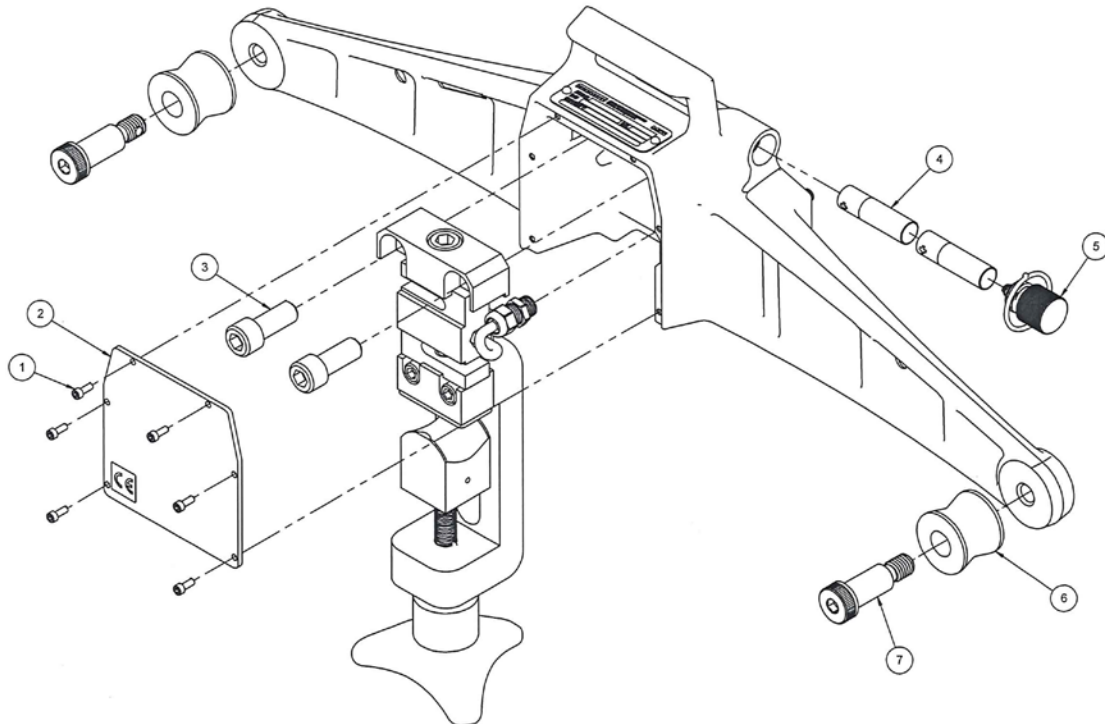
Item #	Part #	Description	Price
1	145988	Screw sh 6-32 x 3/8 ss	Consult
2	192406	Cover plate load train	Consult
3	146001	Screw sh 1/2-20 x 1-1/4 ptt	Consult
4	16431	Battery, 1.5V AA alkaline pack of 8	Consult
5	191147	Battery cap assembly	Consult
6	191155	Cable roller	Consult
7	192660	Bolt shoulder 1/2-13 unc shoulder dia .623-621 x 1.25 length with thread locker black oxide	Consult
8	189583	Electronics assembly LCD	Consult
9	192858	Cable assembly serial RS-232	Consult
10	142197	Screw, pan head 6-32 x 5/16 long Phillips drive sst with locking patch material applied	Consult
11	158437	PCA terminal block 8000HD	Consult
12	146226	Spacer .140 inch id x .125 inch lg #6 clearance #4001	Consult
13	191038	Gasket display silicone	Consult
14	161622	Cable assembly int load cell term block to display board input	Consult
15	194530	Screw shoulder sh 6-32 5/32 dia x 5/16 long alloy steel black oxide	Consult

Dyna-Clamp

Front and Back Assembly



Dyna-Clamp Front



Dyna-Clamp Back