

# MSI Dyna-Clamp

Tension Meter



## Standard Features

- Dual line LCD display
- Two user programmable function keys
- IP65 anodized aluminum frame
- RS-232 port
- Up to 8 factory calibrations included at no additional cost

## Options

(Contact MSI for application consultation)

- Heavy-duty carrying case

## Part Number/Price

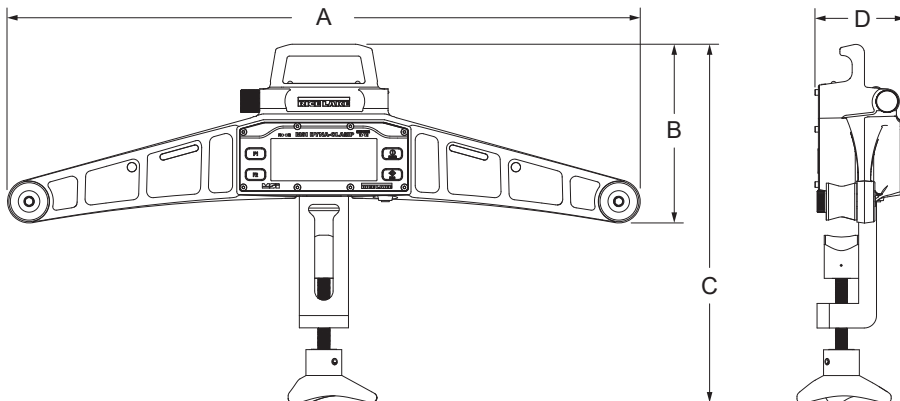
Part #	Description	Tension	Price
189581	MSI Dyna-Clamp Tension Meter	12,500 lbf (5,670 kgf / 55.60 kN)	Consult

## Options/Accessories

Part #	Description	Price
198418	Heavy-duty carrying case	Consult

## Dimensions

	A	B	C	D
A	25.70 in (652.80 mm)			
B		7.30 in (185.50 mm)		
C			13.75 in-15.50 in (349.25 mm-393.70 mm)	
D				3.70 in (94 mm)



## Specifications

### Power:

Battery operated two AA Cell 1.5 V alkaline batteries (can be replaced with rechargeable NiMH cells)

### Max Tension:

12,500 lbf (5,670 kgf / 55.60 kN)

### Operating Time:

Alkaline AA Cells 24 hours

### Wire Rope:

Diameter 3/16 in (5 mm) – 1 in (25 mm)

### Accuracy:

Rated Accuracy ±3% of capacity

### Units:

lbf, kgf, kN

### Resolution:

Standard 2,500 divisions

### Two-Line LCD Display:

Primary display (bottom) six, 0.7 in (18 mm) numeric digits

Secondary display (top) eight, 0.5 in (13 mm) numeric digits

### Function Keys:

Two programmable keys (user-defined) – F1, F2 (Test, unit, print, scroll, actfun)

Two permanent keys – power, zero

### Setpoints:

Two dedicated setpoints for minimum and maximum allowable wire rope tension (LEDs for measurements outside of allowable range)

### Auto-Off Mode:

Prolongs battery life by turning power OFF after 15, 30, 45 or 60 minutes of no activity (user determined)

### Enclosure:

IP65 powder-coated aluminum frame

### Calibration:

Up to eight (8) factory programmed wire rope calibrations

### Operating Temperature:

-4°F to 122°F (-40°C to 50°C)

### Operator Use:

Outdoor

### Storage:

Indoor

### Warranty:

Two-year limited

### Approvals:

CE marked